

Hemera 103

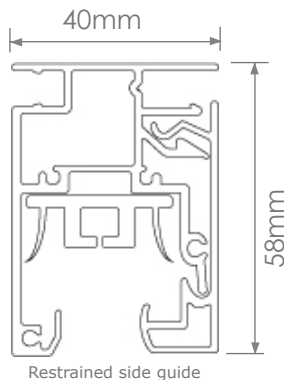
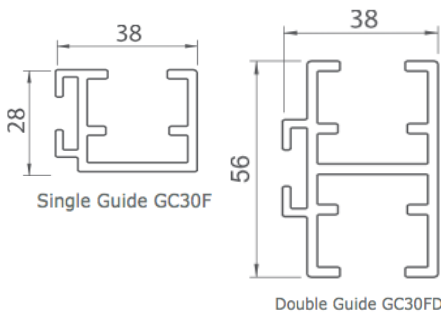
External Roller Shading

Key features

- Maximum blind dimensions:
Width 4.5m – Height 4m
- Cassette dimensions: 107mm x 117mm
- Electric or manual drive
- Construction in most colours
from the RAL palette
- Variety of mesh screen and solid fabrics
- Anti-wind bars available
- Restrained fabric side guide option



Illustration 103 with anti-wind bar



Cable guide bracket

	Maximum Width (mm)	Maximum Drop (mm)
Standard Guides	4500	4000
Restrained Fabric Guides	3500	4000
Anti Wind Bar	3000	4000
Cable Guide	3000	3000

Technical Specification

Cassette Box

Extruded aluminium profile 103mm x 117mm contains the roller, motor and operating mechanism

Bottom Rail

42mm diameter extruded aluminium profile with nylon end caps that locate on to the side guides or side cable. 103R Restrained guides have bottom rail section type FG120.

Side Guides

103 Standard guide type GC30F 28 x 38mm retains the bottom rail end cap slide and the fabric is free hanging. Anti-wind bars are an option between the guides.

Hemera 103R has special side guides 58 x 40mm that retain the fabrics for maximum resistance to wind. This option is not available for manual operation.

Side Cable

2.5mm stainless steel cable that extends from the top box to aluminium cill brackets

Finish

All exposed aluminium components are polyester powder coated to a standard range of RAL colours and custom colours are available

Fabric

Soltis 92 and Polyscreen 550 re-inforced PVC mesh material in extensive colour ranges.



SPONSORS AND GBC PARTNERS



Hemera 103

External Roller Shading



Illustration 103R with restrained fabric side guides

Motorised Control

Motors

The motor is located in the blind headrail. It is 240v single phase with a maximum current requirement of less than 1 amp. It is supplied with an 80cm "flying" lead. This should be connected to a junction box or plug adjacent to the headrail to facilitate removal for maintenance. 110v motors are also available.

The motor has a four core cable Neutral, Earth, Supply for lower and Supply for raise. Wiring diagrams are available for all standard control options.

Switches

A range of switches is available. Before using any other type of switch it is important to confirm with us that it is compatible to maintain the motor manufacturers warranty.

Automatic Control

For maximum energy benefit shading should be able to react to changing weather conditions and the movement of the sun. Control with sensors for sun and wind provide the optimum solutions that can be linked to Building or Home Management Systems

Manual Control

Gear Box

Hardened steel gears running in Zamac casings which produce a smooth operation which is robust and maintenance free. The unit is located at one end of the headrail.

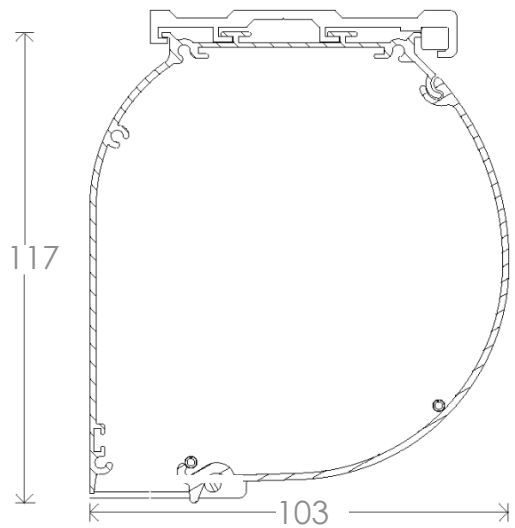
Universal Joint

A drive from the gearbox exits from the back of the headrail through the building to a 20mm hole is required through the building to allow clearance for the drive. The standard joint drive type GP45 exits at 45° to a nickel plated mounting 22mm wide x 85mm high on the room side. A 90° drive type GP90 is also available.

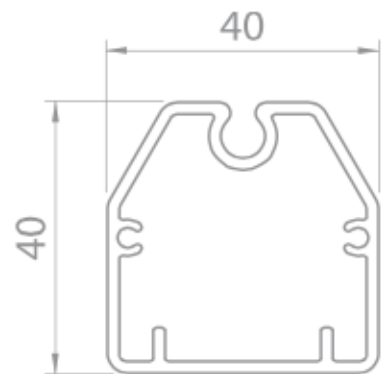
Operating Rod

The joint is connected to 15mm dia. rod with a cranked end. A nylon magnetic clip retains the rod when not in use.

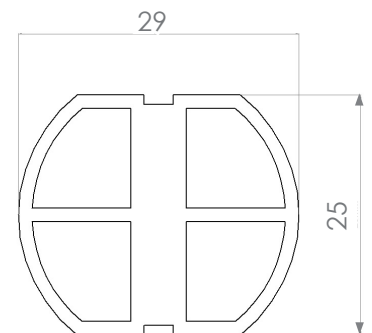
Drawings are not to scale.



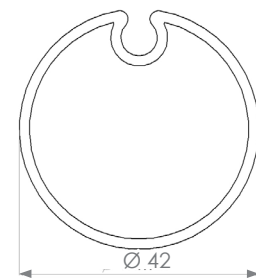
Cassette dimensions



Bottom Rail FG120



Anti-wind bar tubular



Bottom rail tubular

